

NX8048T050

From ITEAD Wiki

Contents

- 1 Overview
- 2 Nextion Models
- 3 Specification
- 4 Electronic Characteristics
- 5 Working Environment & Reliability Parameter
- 6 Interfaces Performance
- 7 Memory Features
- 8 Product Dimension

Overview

Nextion is a Seamless Human Machine Interface (HMI) solution that provides a control and visualisation interface between a human and a process, machine, application or appliance. Nextion is mainly applied to IoT or consumer electronics field. It is the best solution to replace the traditional LCD and LED Nixie tube. With the software - Nextion Editor (Official Download (<http://nextion.itead.cc/download.html>)), users are able to create and design their own interfaces for Nextion display.

Go shopping NX8048T050 (IM150416006) (<http://imall.itead.cc/nextion-nx8048t050.html>)

Package includes: a Nextion 5.0" display, a wire, a power supply test board

Note: there's a small power supply test board and a wire for you to test if the electricity supply is enough or not. Please see below image on how to use it.



Caution:

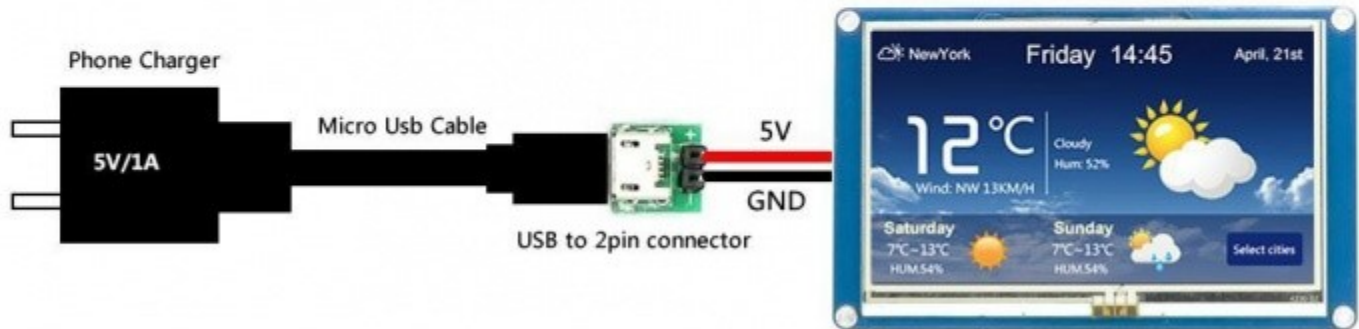
Working under insufficient power supply condition will damage the Nextion model easily.



Blurred screen? Flashing? You may be suffering from power shortages. Power off at the first possible moment. No more repeated attempts to damage your Nextion model.

A small connector is included in the package. Please try to power Nextion with your phone charger through the connector to check if Nextion works well.

A high quality usb cable is required.



Nextion User Manual: <http://goo.gl/LbvAJ5>

Nextion Models

Nextion Type	Basic
Nextion Models	NX8048T050_011N (N: No touch)
	NX8048T050_011R (R: Resistive touchscreen)



Specification

	Data	Description
Color	65K (65536) colors	16 bit, 5R6G5B
Layout size	133.5(L)×84(W)×5(H)	NX8048T050_011N
	133.5(L)×84(W)×6.2(H)	NX8048T050_011R
Active Area (A.A.)	118.50mm(L)×77.55mm(W)	-
Visual Area (V.A.)	108mm(L)×64.8mm(W)	-
Resolution	800×480 pixel	Also can be set as 480×800
Touch type	Resistive	-
Touches	> 1 million	-
Backlight	LED	-
Backlight lifetime (Average)	>30,000 Hours	-
Brightness	250nit(NX8048T050_011N)	0% to 100%, the interval of adjustment is 1%
	230 nit 250nit(NX8048T050_011R)	0% to 100%, the interval of adjustment is 1%
Weight	108g (NX8048T050_011N)	-
	128g (NX8048T050_011R)	-

Electronic Characteristics

	Test Conditions	Min	Typical	Max	Unit
Operating Voltage		4.75	5	7	V
Operating Current	VCC=+5V, Brightness is 100%	-	410	-	mA
	SLEEP Mode	-	15	-	mA
Power supply recommend : 5V, 1A, DC					

Working Environment & Reliability Parameter

	Test Conditions	Min	Typical	Max	Unit
Working Temperature	5V, Humidity 60%	-20	25	70	°C
Storage Temperature	-	-30	25	85	°C
Working Humidity	25°C	10%	60%	90%	RH

Interfaces Performance

	Test Conditions	Min	Typical	Max	Unit
Serial Port Baudrate	Standard	2400	9600	115200	bps
Output High Voltage	IOH=-1mA	3.0	3.2	-	V
Output low Voltage	IOL=1mA	-	0.1	0.2	V
Input High Voltage	-	2.0	3.3	5.0	V
Input low Voltage	-	-0.7	0.0	1.3	V
Serial Port Mode	TTL				
Serial Port	4Pin_2.54mm				
USB interface	NO				
SD card socket	Yes (FAT32 format), support maximum 32G Micro SD Card				

Memory Features

Memory Type	Test Conditions	Min	Typical	Max	Unit
FLASH Memory	Store fonts and images	-	-	16	MB
RAM Memory	Store variables	-	3584	-	BYTE

Product Dimension

5.0 Nextion Dimension

Retrieved from "<https://www.itead.cc/wiki/index.php?title=NX8048T050&oldid=5788>"

- This page was last modified on 3 March 2017, at 10:28.
- This page has been accessed 23,276 times.